

1 & 3 ϕ V, A, F Meters – DM1000 & 3000 Series



DM3110 - 3 ϕ Ammeter

Universal, User Programmable . .

All your needs in just five flexible & compact models

Unique	DM1110 1 ϕ A	DM3110 3 ϕ A	DM1210 1 ϕ V	DM3210 3 ϕ V	DM1310 1 ϕ F
■ Universal ranges	50 mA to 6 A 45 to 65 Hz		44 to 480 VAC 45 to 65 Hz	80 to 480 VLL 45 to 65 Hz	20 to 100 Hz
■ Wide range Auxiliary supply (Control power)	90 to 300 VAC (50/60 Hz)				
■ Low burden	Aux < 3 VA at 240 V				
	Amps < 0.2 VA		Volts < 0.2 VA		
■ Simple to order & Easy to stock	CT ratio		PT ratio		Auto
■ User Programmable					
■ Auto scaling	A to kA		V to kV		20 to 100 Hz

High Accuracy % of reading

- Volts & Amps : $\pm 1.0\%$, 0.5 % of Rdg
- Frequency : $\pm 0.2\%$ of Rdg

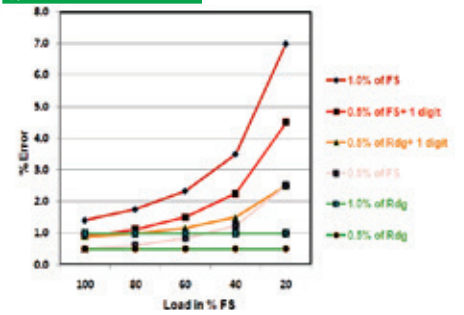
Bright red LED Display

- Full 4 Digits, 0.1% Resolution
- >14mm height; 7 segment

Smart

- Elegant industrial look
- Intuitive Dual function key
- Auto exit from setup
- Bright LED indicators - Kilo & Phase indications for measured value

Typical Error Claims in the market



Rugged Construction

- Emission : CISPR22
- Fast Transient : 4 kV IEC 61000-4-4
- Surge withstand : 4 kV IEC 61000-4-5
- ESD : 15 kV Air discharge, 8 kV contact discharge IEC 61000-4-2
- Impulse voltage : 6 kV, 1.2/50 μ Second, IEC 60060
- Safety : Self extinguishable V0 plastics
Measurement category III
Pollution degree 2
Spacing & Isolation as per UL & IEC Standards
- Sealed-dust proof construction

Temperature

- Operating : -10 $^{\circ}$ C to 60 $^{\circ}$ C (14 $^{\circ}$ F to 140 $^{\circ}$ F)
- Storage : -25 $^{\circ}$ C to 70 $^{\circ}$ C (-13 $^{\circ}$ F to 158 $^{\circ}$ F)
- Weight : 400 gms approx, Unpacked;
500 gms approx, Shipping
- Panel cut out : 92 x 92 mm Flush mount

Applications

- 1 & 3 ϕ AC Volts, Amps and 1 ϕ Hz measurement & Monitoring
- 3 Phase Volts & Hz monitoring with selector switch (DM1000 series)
- Electrical load monitoring
- Gensets, Test benches & Laboratories
- Capacitor rated current measurement in PFI panels



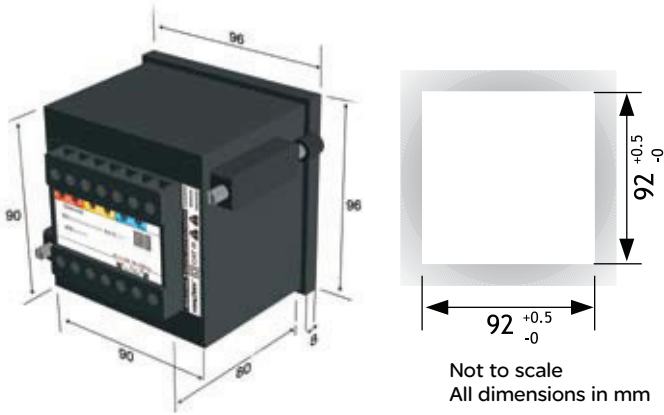
DM1210 - 1 ϕ Voltmeter



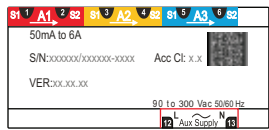
DM1310 - 1 ϕ Frequency

Installation

Mechanical dimensions & Panel cut - out



Color keyed Terminals



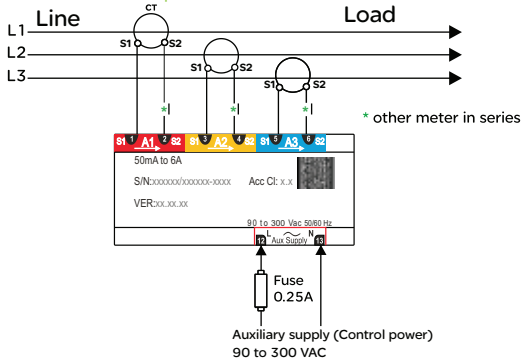
Terminal representation only. For other models please refer the Quick start guide.

DM3110 - 3 ϕ Ammeter

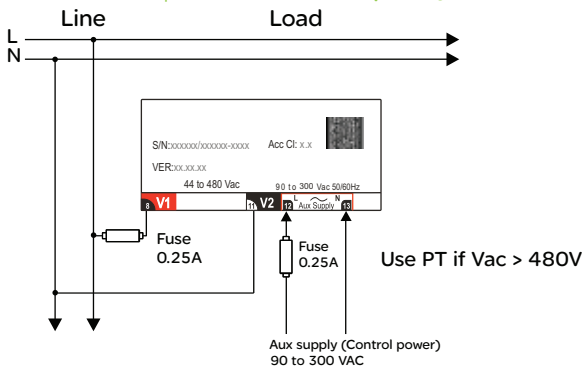
Terminals are colored in four different colors to ensure defect free wiring. However these colors doesn't conform to national color codes which may vary from regions and applications

Wiring diagrams

DM3110 - 3 ϕ Ammeter



DM1210 - 1 ϕ Voltmeter & frequency



Wiring representation only. For other models please refer the Quick start guide

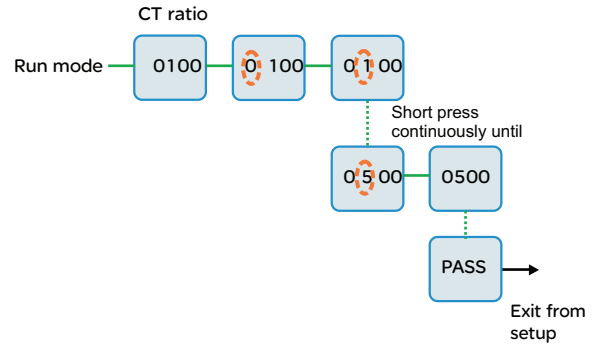
Setup Menu

Dual function key - Operation

Duration of press	Action
Five seconds	Setup entry
Long press Two seconds	Digit/Value selection to edit in setup
Short press Simple one touch	<ul style="list-style-type: none"> ■ Scroll down the display pages ■ Digit/Value editing in setup

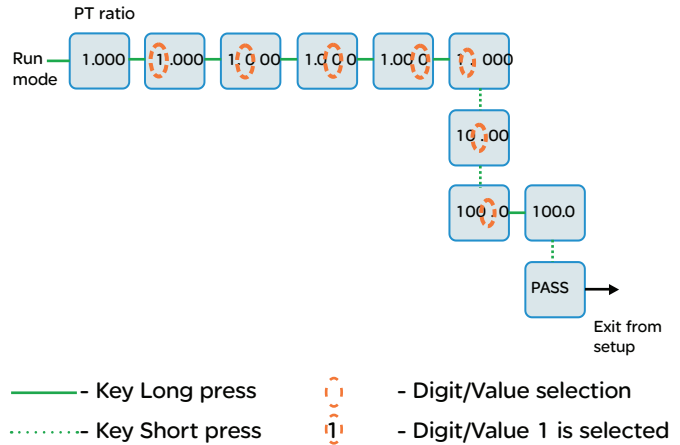
DM1110 & DM3110: 1 ϕ & 3 ϕ Ammeter

Editing CT ratio e.g. CTr = 2500/5 i.e. 500



DM1210 & DM3210: 1 ϕ & 3 ϕ Voltmeter

Editing PT ratio e.g. PTR = 11 kV/110 i.e. 100



— Key Long press

..... Key Short press

- Digit/Value selection

- Digit/Value 1 is selected

Ordering Information

Specify

Model no	Accuracy	Meter type	Alternate for existing models
<input type="checkbox"/> DM1110		1 ϕ Ammeter	DM 3252 DM 3259
<input type="checkbox"/> DM1210	<input type="checkbox"/> Cl 1.0 <input type="checkbox"/> Cl 0.5	1 ϕ Voltmeter	DM 3259 DM 3251
<input type="checkbox"/> DM1310	<input type="checkbox"/> Cl 0.2	1 ϕ Frequency	DM3270
<input type="checkbox"/> DM3110	<input type="checkbox"/> Cl 1.0 <input type="checkbox"/> Cl 0.5	3 ϕ Ammeter	DM 3258 DM 3261
<input type="checkbox"/> DM3210		3 ϕ Voltmeter	DM 3256 DM 3257



Schneider Electric India Pvt. Ltd.

44P Electronic City East Phase Hosur Road, Bangalore 560 100 INDIA

P +91 80 3910 2730, F +91 80 3910 2735 E contact@conzerv.com

Customer Care Centre: Toll-free numbers: 1800 180 1707, 1800 103 0011,

General number: 0124 4222040, Email: in-care@in.schneider-electric.com