



Four Pole Contactors

Type MCX

Four Pole Contactors Type MCX

Technical Data



Type	MCX 01	MCX 02	MCX 03	MCX 04	MCX 11	MCX 12	MCX 21	MCX 22	MCX 31	MCX 32	MCX 33	MCX 34	MCX 41	MCX 42	MCX 43	MCX 44	MCX 45	MCX 46	
Catalogue No.	CS94316	CS94317	CS94318	CS94319	CS94657	CS94656	CS94653	CS94654	CS94320	CS94321	CS94322	CS94323	CS94292	CS94286	CS94287	CS94288	CS94289	CS94290	
Preferred DG ratings	7.5	15	20	25	30	40	50	62.5	82.5	100	125	160	200	225	250	320	380	437.5	
Power contacts																			
No. of poles	4	4	4	4	4	4	4	4	4	4	4	4	4	4	4	4	4	4	
Number of built-in auxiliary contacts	-	-	-	-	-	-	2 NO + 2 NC	2 NO + 2 NC	1 NO + 1 NC	1 NO + 1 NC	1 NO + 1 NC	1 NO + 1 NC	2 NO + 2NC	2 NO + 2NC	2 NO + 2NC	2 NO + 2NC	2 NO + 2NC	2 NO + 2NC	
Rated insulation voltage, U _i	690 V	690 V	690 V	690 V	690 V	690 V	690 V	690 V	1000 V	1000 V	1000 V	1000 V	1000 V	1000 V	1000 V	1000 V	1000 V	1000 V	
Rated Operational voltage, U _e	415 V	415 V	415 V	415 V	415 V	415 V	415 V	415 V	415 V	415 V	415 V	415 V	415 V	415 V	415 V	415 V	415 V	415 V	
Rated impulse withstand voltage, U _{imp}	8 kV	8 kV	8 kV	8 kV	8 kV	8 kV	8 kV	8 kV	8 kV	8 kV	8 kV	8 kV	8 kV	8 kV	8 kV	8 kV	8 kV	8 kV	
Conventional thermal current, I_n / Utilization category AC1 at 40°C	16 A	25 A	32 A	40 A	50 A	63 A	80 A	100 A	130 A	160 A	200 A	255 A	325 A	360 A	400 A	500 A	600 A	700 A	
Motor Duty : 3 ph, 415 V, 50 Hz Utilization category AC-3	9 A	12 A	18 A	22 A	25 A	35 A	45 A	65 A	80 A	100 A	120 A	130 A	225 A	265 A	300 A	350 A	425 A	500 A	
Service temperature	-20°C to 55°C	-20°C to 55°C	-20°C to 55°C	-20°C to 55°C	-20°C to 55°C	-20°C to 55°C	-20°C to 55°C	-20°C to 55°C	-20°C to 55°C	-20°C to 55°C	-20°C to 55°C	-20°C to 55°C	-20°C to 55°C	-20°C to +55°C	-20°C to +55°C	-20°C to +55°C	-20°C to +55°C	-20°C to +55°C	
Main terminal capacity	With lug (sq. mm)	1 x 6	1 x 6	1 x 6	1 x 6	1 x 16	1 x 16	1 x 35	1 x 35	1 x 120	1 x 120	1 x 120	1 x 120	2 x 240	2 x 240	2 x 240	2 x 240	2 x 240	
	Link	-	-	-	-	-	-	1 x (12.5mm x 3mm)	1 x (12.5mm x 3mm)	2 x (25mm x 3mm)	2 x (25mm x 3mm)	2 x (25mm x 3mm)	2 x (25mm x 3mm)	2 x (50mm x 5mm)	2 x (50mm x 5mm)	2 x (50mm x 5mm)	2 x (50mm x 5mm)	2 x (50mm x 5mm)	
	Solid conductor (sq. mm)	2 x 4	2 x 4	2 x 4	2 x 4	2 x 10	2 x 10	-	-	-	-	-	-	-	-	-	-	-	
	Multistrand conductors (sq. mm)	2 x 2.5	2 x 2.5	2 x 2.5	2 x 2.5	2 x 6	2 x 6	-	-	-	-	-	-	-	-	-	-	-	
Auxiliary terminal capacity	Solid or multistrand conductors (sq. mm)	-	-	-	-	-	-	-	-	-	-	-	-	2 x 2.5	2 x 2.5	2 x 2.5	2 x 2.5	2 x 2.5	
Coil																			
Voltage available at 50 Hz, U _c (V)	110, 220, 240, 415	110, 220, 240, 415	110, 220, 240, 415	110, 220, 240, 415	110, 240, 415	110, 240, 415	240, 415	240, 415	110, 240, 415	110, 240, 415	110, 240, 415	110, 240, 415	110, 240, 415	110, 240, 415	110, 240, 415	110, 240, 415	110, 240, 415	110, 240, 415	
Pick-up (VA)	68	68	68	68	180	180	190	190	550	550	550	550	2100	2100	2100	2100	1000	1000	
Hold-on (VA)	11	11	11	11	22	22	22	22	36	36	36	36	95	95	95	95	25	25	
Hold-on (Watts)	4	4	4	4	5	5	5.5	5.5	10	10	10	10	35	35	35	35	10	10	
Limits of operation	Pick-up (%U _e)	65 - 120	65 - 120	65 - 120	65 - 120	50 - 120	50 - 120	65 - 120	65 - 120	80 - 110	80 - 110	80 - 110	80 - 110	80 - 110	80 - 110	80 - 110	80 - 110	80 - 110	
	Drop-off (%U _e)	35 - 55	35 - 55	35 - 55	35 - 55	25 - 45	25 - 45	40 - 60	40 - 60	35 - 65	35 - 65	35 - 65	35 - 65	35 - 65	35 - 65	35 - 65	35 - 65	35 - 65	
Overall dimensions (H x W x D in mm)	83 x 45 x 88	83 x 45 x 88	83 x 45 x 88	83 x 45 x 88	80 x 83.5 x 91.8	80 x 83.5 x 91.8	109 x 106 x 120.5	109 x 106 x 120.5	175 x 183.5 x 152	175 x 183.5 x 152	175 x 183.5 x 152	175 x 183.5 x 152	278 x 248 x 221	278 x 248 x 221	275 x 248 x 221	275 x 248 x 221	275 x 248 x 221	275 x 248 x 221	
Mounting dimensions (H x W in mm)	(60-65-70) x 35	(60-65-70) x 35	(60-65-70) x 35	(60-65-70) x 35	(55-58) x 70	(55-58) x 70	80 x 85	80 x 85	115 x 165	115 x 165	115 x 165	115 x 165	170 x 225	170 x 225	170 x 225	170 x 225	170 x 225	170 x 225	
Conformance to standards	IS 13947 (Part 4 / sec 1) & IEC 60947 - 4 - 1																		

Mechanically interlocked Contactors

For Contactor	Cat. Nos.
Two MCX 11	CS94362
Two MCX 12	CS94365
MCX 11-12	CS94363

Accessories

Auxiliary contact block

For Contactor	Contact Combination	Cat. Nos.	Contact Comb.	Cat. Nos.
MCX 01	4 NO	CS94112	2 NO	CS94117
MCX 03	3 NO + 1 NC	CS94113	1 NO + 1 NC	CS94118
MCX 02	2 NO + 2 NC	CS94114	2 NC	CS94119
MCX 04	1 NO + 3 NC	CS94115	1 NO	CS94120
MCX 11	4 NC	CS94116	1 NC	CS94121
MCX 11 / 12*	1 NO + 1 NC (1 st Left)	CS94201	*Cannot be used along with MIL Kit	
	1 NO + 1 NC (1 st Right)	CS94202		
MCX 21 / 22*	1 NO + 1 NC (2 nd Left)	CS94203		
	1 NO + 1 NC (2 nd Right)	CS94204		
MCX 31 / 32*	1 NO + 1 NC (1 st Left)	CS94205		
MCX 33 / 34*	1 NO + 1 NC (1 st Right)	CS94206		
MCX 41 / 42	1 NO + 1 NC (2 nd Left)	CS94207		
MCX 43 / 44	1 NO + 1 NC (2 nd Right)	CS94208		
MCX 45 / 46				

Mechanical interlock kit

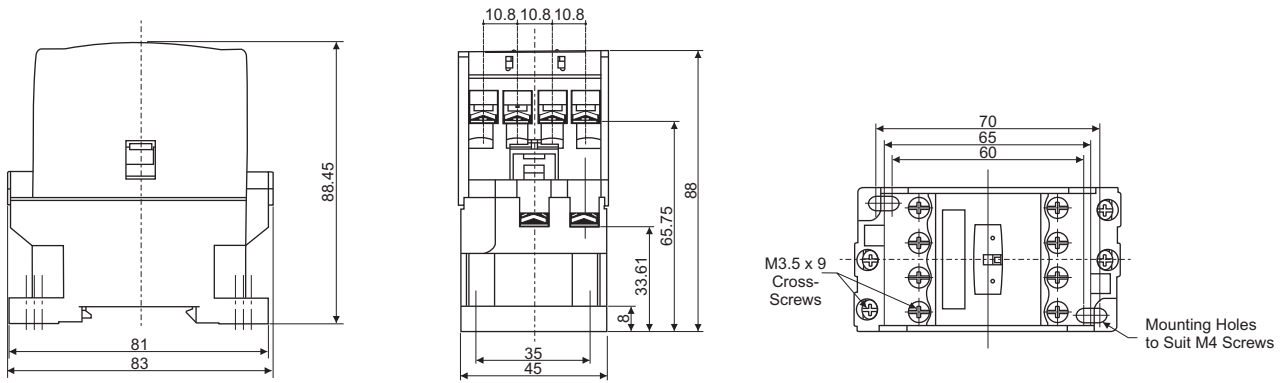
For Contactor	Cat. Nos.
MCX 01 / 02 / 03 / 04	CS94126
MCX 21 / 22	CS93095
MCX 31 / 32 / 33 / 34	CS94304
MCX 41 / 42 / 43 / 44 / 45 / 46	CS94301

Spares

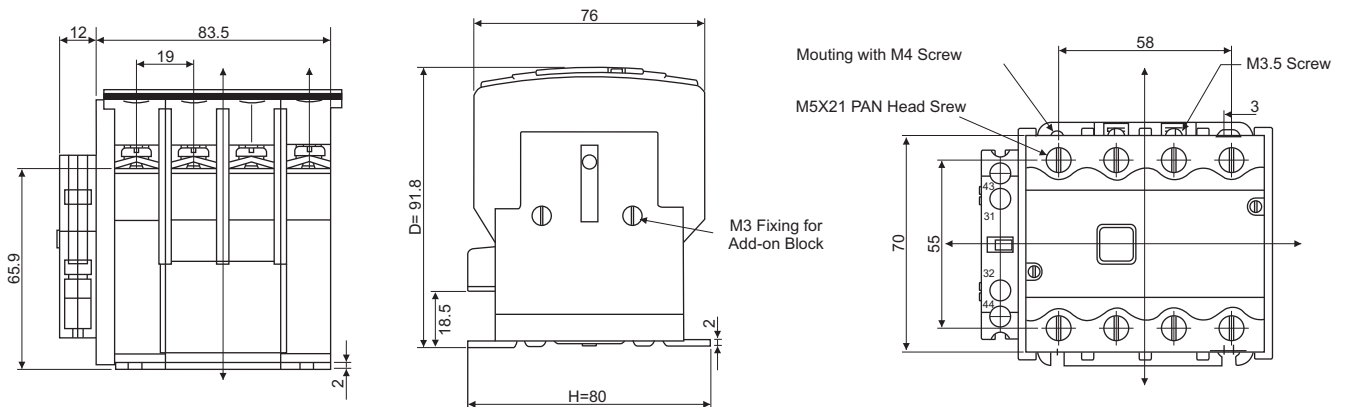
Spare coil		Spare kits	
For Contactor	Cat. Nos.	For Contactor	Cat. Nos.
MCX 01 / 02 / 03 / 04	CS94105	MCX 11	CS94077
MCX 11 / 12	CS94009	MCX 12	CS94078
MCX 21 / 22	CS94192	MCX 21	CS94330
MCX 31 / 32 / 33 / 34	CS94196	MCX 22	CS94331
MCX 41 / 42 / 43 / 44	CS94195	MCX 31	CS94081
MCX 45 / 46	CS94193	MCX 32	CS94082
		MCX 33	CS94083
		MCX 34	CS94084
		MCX 41	CS94295
		MCX 42	CS94296
		MCX 43	CS94297
		MCX 44	CS94298
		MCX 45	CS94299
		MCX 46	CS94300

Overall dimensions

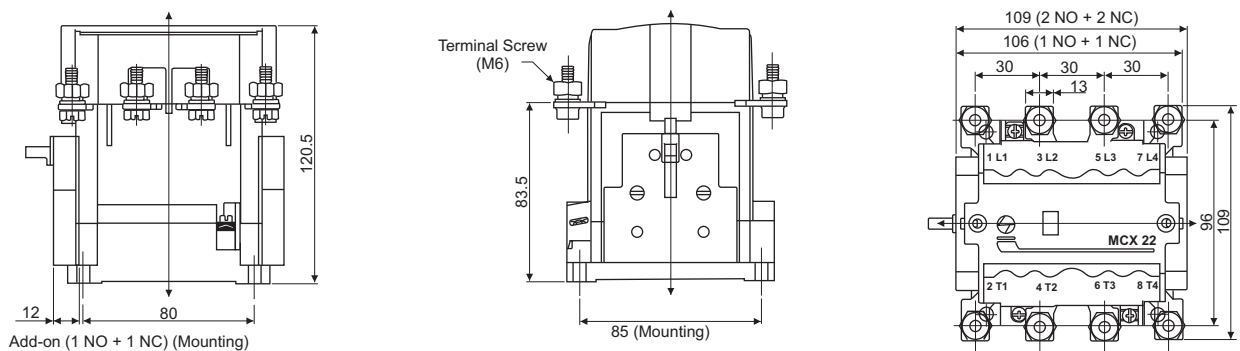
MCX 01 / MCX 02 / MCX 03 / MCX 04



MCX 11 / MCX 12



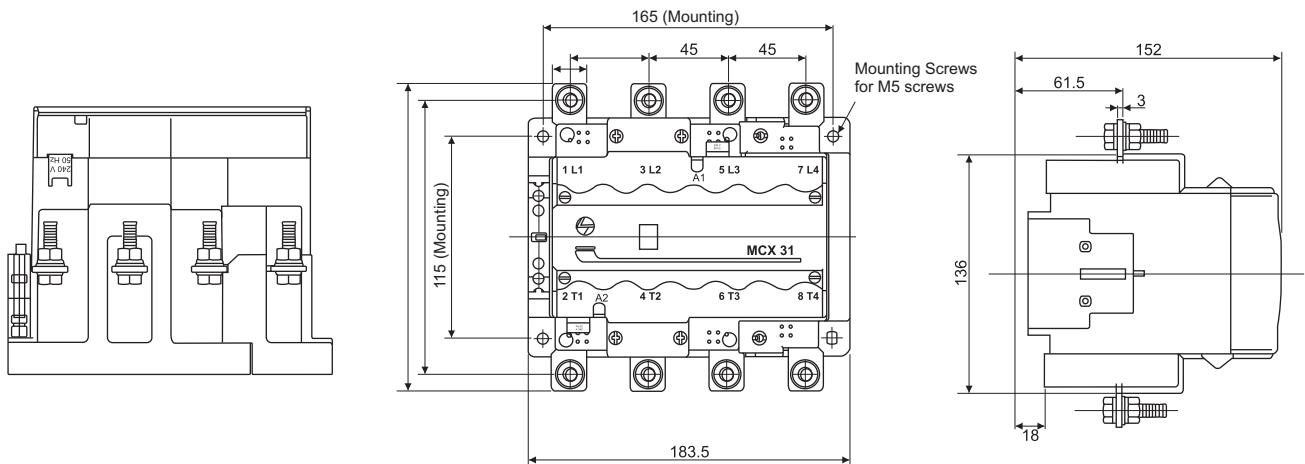
MCX 21 / MCX 22



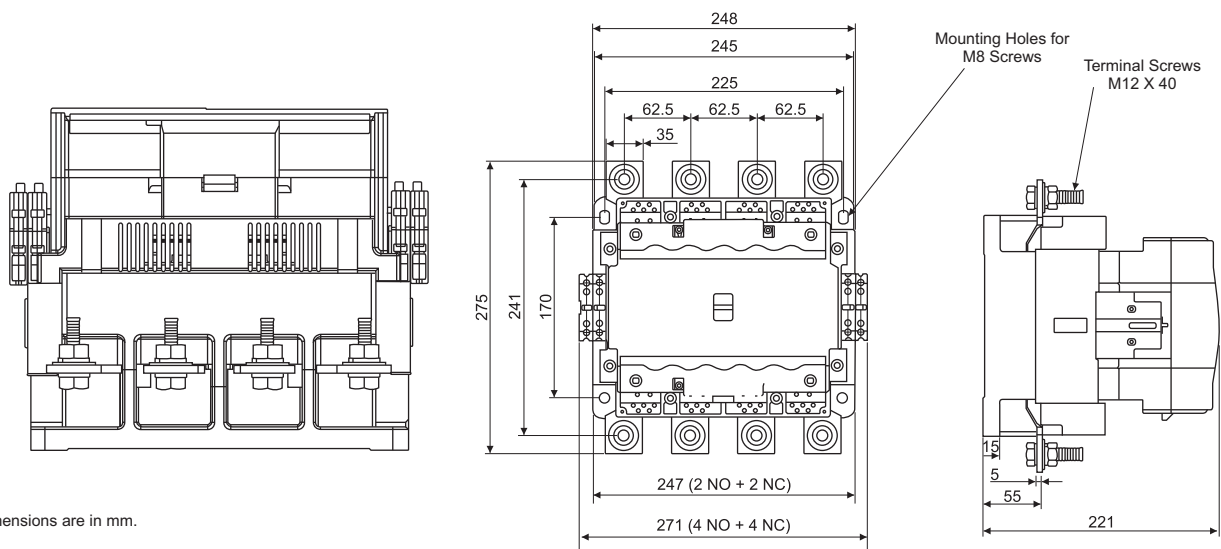
All Dimensions are in mm.

Overall dimensions

MCX 31 / MCX 32 / MCX 33 / MCX 34



MCX 41 / MCX 42 / MCX 43 / MCX 44 / MCX 45 / MCX 46



All Dimensions are in mm.

Product improvement is a continuous process. For the latest information and special applications, please contact any of our offices listed here.



Electrical Standard Products
Larsen & Toubro Limited
Powai Campus, Mumbai 400 072
Customer Interaction Center (CIC)
BSNL / MTNL (toll free) : 1800 233 5858
Reliance (toll free) : 1800 200 5858
Tel : 022 6774 5858
Fax : 022 6774 5859
E-mail : cic@LNTEBG.com
Website : www.LNTEBG.com

